

ARLINGTON™

CLASSIC SERIES WALL SYSTEM / DOUBLE-SIDED SMOOTH WALL



UNITS



BLOCK
15.75w x 4.92h x 8.85d in
400w x 125h x 225d mm



CORNER / CURB
15.75w x 4.92h x 8.85d in
400w x 125h x 225d mm



COPING
15.75w x 2.36h x 10.23d in
400w x 60h x 260d mm

BUNDLE SPECIFICATIONS

IMPERIAL

METRIC

Coverage	26.9 ft ²	2.5 m ²
Lineal Coverage	65.6 ft	20 m
Weight	2600 lbs	1179.3 kg
Units	50	-
Coverage per unit	0.53 ft ²	0.05 m ²
Lineal coverage per unit	1.31 ft	0.4 m

Coverage	26.9 / 15 ft ²	2.5 / 1.39 m ²
Lineal Coverage	37 / 65.6 ft	11.25 / 20 m
Weight	2595 lbs	1177 kg
Units	50	-
Coverage per unit	0.3 / 0.53 ft ²	0.027 / 0.05 m ²
Lineal coverage per unit	0.74 / 1.31 ft	0.225 / 0.4 m

Lineal Coverage	94.5 ft	28.8 m
Weight	2146 lbs	973.4 kg
Units	72	-
Lineal coverage per unit	1.31 ft	0.4 m
Sections	4	-
Lineal coverage per section	23.6 ft	7.2 m

NOTES

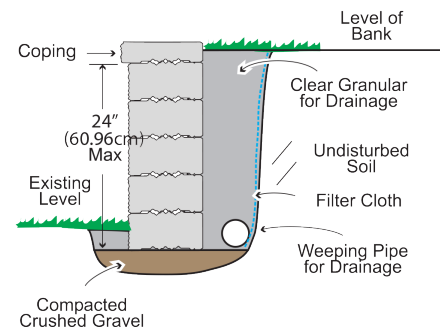
Smooth double-sided wall unit with a locking feature that works in tandem with Garden Lock™ and Hazelton™.

COLOURS

- Colorado Grey
- Grey Mix
- Nightfall
- Summer Mist
- Winterborn

BUNDLE OVERVIEW

BLOCK & CORNER		COPING	
□	□	□	□
□	□	□	□
□	□	□	□
□	□	□	□
□	□	□	□



*Set-back can be erected to 36" matching Garden Lock.