



TECHO-BLOC WARRANTY APPLIES TO
PRESCOTT STONES. THE WARRANTY
DOES NOT APPLY TO ACCESSORY KIT.

PRESCOTT

DESCRIPTION: Fire pit TEXTURE: Chiseled Face

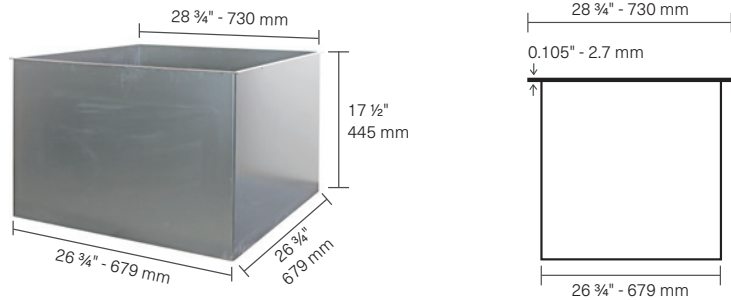


Specifications per pallet	Imperial	Metric
Approx. Weight	2 813 lbs	1276 kg
Height	18 in	457 mm
Depth	51 ¾ in	1 314 mm
Length	51 ¾ in	1 314 mm
Piedimonte caps	6	
Prescott 2,25" block	7 A , 18 B , 7 C	
Prescott 4,5" block	3 A , 6 B , 3 C	
Prescott 2,25" corner block	16	
Prescott 4,5" corner block	6	

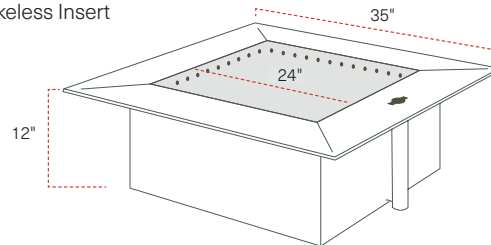
Options and accesories (sold separately)

Sleeve Insert

Wood Firepit



Smokeless Insert



HPC BURNERS AND BREEO ACCESSORIES (SOLD SEPARATELY)

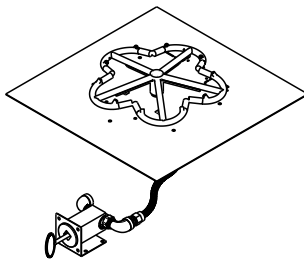
HPC BURNERS

FEATURES:

Natural Gas or Liquid Propane
Standard BTU: 65K
Push button ignition

INCLUDES:

Stainless steel burner with aluminum pan, mounting brackets, Dante valve with push-button ignition, vents, lava rock and stainless steel cover.
See page 119 for details.



GRILLING SYSTEM OUTPOST™

Only for Smokeless inserts

Transforms fire pit into wood-fired grill.
Weight: 12 lbs. 9 oz.
Diameter: 22 inches
See page 120 for details.



NOTES

See page 6 for icons description.

Available with UGO (Universal Gas Orifice) for natural gas & liquid propane burning options, wood burning or smokeless wood burning.

Sold as a kit not pre-assembled.
Piedimonte caps included.

Techo-Bloc is not responsible for any damages to the firepit if it is not installed with a sleeve or accessory kit. The firepit is not designed for large fires. Fire should be contained at least 6" away

from the firepit wall blocks. Overheating could lead to heat damage to the firepit components.

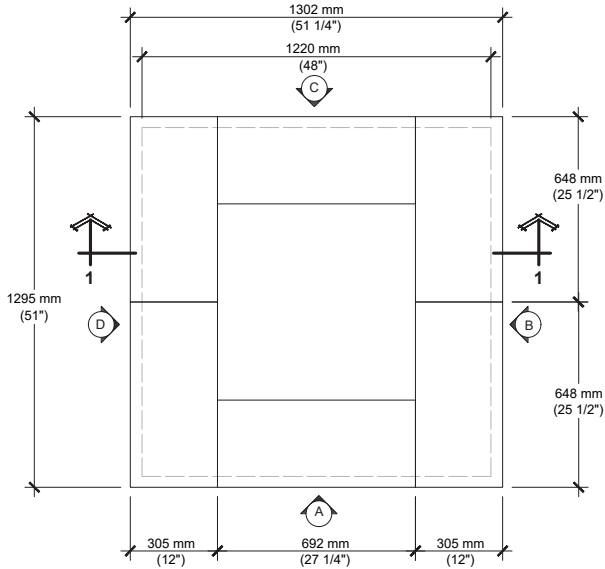
*For an authentic look, each color option is composed of a variety of darker & lighter tones. Natural ingredients such as granite are present within the recipe to allow for a range in tones, veining and textures from one stone to another.

OPTIONS AND ACCESORIES are SOLD SEPARATELY.

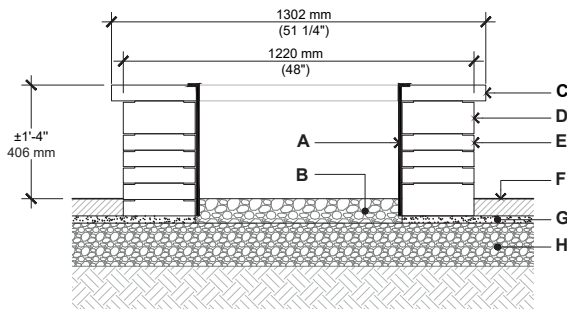
See 114 for more technical information.

INSTALLATION GUIDE

PRESCOTT FIRE PIT (KIT)



TOP



SECTION 1-1

- A. STEEL BOX INSERT
- B. CLEAN STONE 3/4" (20 mm), 4" (100 mm) THICK
- C. PIEDIMONTE CAP (CUT)
- D. PRESCOTT 4.5" BLOCK
- E. PRESCOTT 2.25" BLOCK
- F. TECO-BLOC PAVERS OR SLABS
- G. SETTING BED 1" (25 mm)
- H. COMPACTED GRANULAR BASE 0-3/4" (0-20 mm) (SEE TABLE PAGE 58 FOR THICKNESS)
- I. PRESCOTT 4.5" CORNER BLOCK
- J. PRESCOTT 2.25" CORNER BLOCK

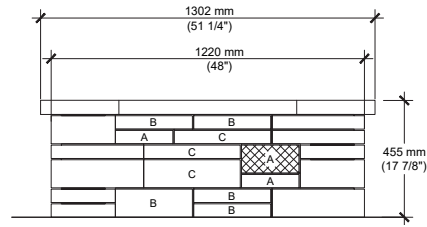
QUANTITY OF MATERIALS REQUIRED

- Piedimonte cap: **6**
- Prescott 2.25" block: **7 A, 18 B, 7 C**
- Prescott 4.5" block: **3 A, 6 B, 3 C**
- Prescott 2.25" corner block: **16**
- Prescott 4.5" corner block: **6**

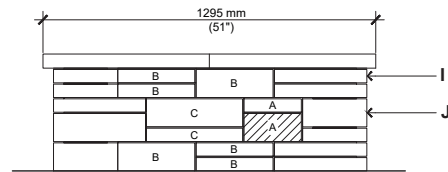
NOTE: Secure the blocks using a heat resistant concrete adhesive. The installer must ensure that the installation and use of the firepit comply with local regulations and code requirements.

 RECOMMENDED LOCATION FOR VENT ACCESSORY (GAS KIT);

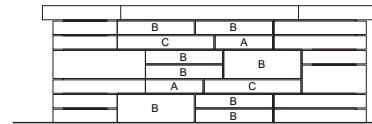
 RECOMMENDED LOCATION FOR IGNITION CONTROL (GAS KIT);



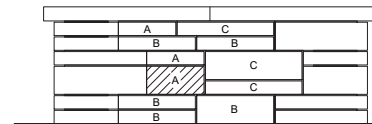
ELEVATION A



ELEVATION B



ELEVATION C



ELEVATION D

Consult our Installation Guide in our website for a detailed step by step installation.